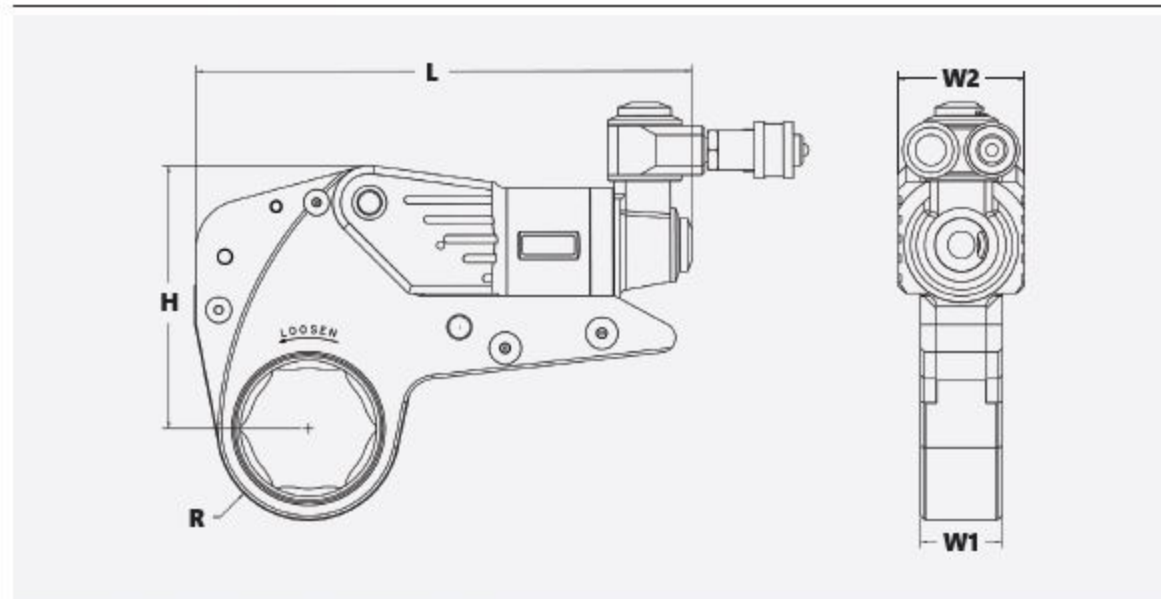




## FEATURES

- The most frequently used limited-clearance torque wrench in the world
- Built to withstand the rigors of daily use in heavy industry
- Versatility allows for use with hex, 12-point, castle-nut sockets, etc.
- Seven models with torque output up to 59,110 ft.-lbs.
- Uniswivel technology for free movement and positioning of tool and hoses
- Available with TORC Square Drive Conversion Link for use with hex and allen sockets

## SPECIFICATIONS



LEGEND: H = HEIGHT L = LENGTH R = RADIUS W = WIDTH

Model		H	W1	W2	L	R	Hex Range	Weight (w/o link)	Torque	
									MIN.	MAX.
TTL - 2	in.	4.02	1.26	1.94	7.33	1.03	.75 – 2.9375	2.05 lbs.	243 ft.-lbs.	1,687 ft.-lbs.
	mm	102	32	49	186	26	19 – 75	0.93 kg	329.46 Nm	2,287.27 Nm
TTL - 4	in.	5.36	1.68	2.58	10.06	1.32	1.4375 – 3.5	4.25 lbs.	580 ft.-lbs.	3,855 ft.-lbs.
	mm	136	43	66	256	34	37 – 89	1.93 kg	786.37 Nm	5,226.68 Nm
TTL - 8	in.	6.69	2.08	2.23	12.08	1.78	2 – 3.875	7.15 lbs.	1,142 ft.-lbs.	8,149 ft.-lbs.
	mm	170	53	57	307	45	51 – 98	3.24 kg	1,548.34 Nm	11,048.56 Nm
TTL - 14	in.	8.04	2.50	3.63	14.14	2.62	2.75 – 4.625	11.30 lbs.	2,010 ft.-lbs.	13,398 ft.-lbs.
	mm	204	64	92	359	67	70 – 117	5.13 kg	2,725.19 Nm	18,165.25 Nm
TTL - 18	in.	9.08	2.82	4.38	14.41	2.58	2.75 – 6	14.85 lbs.	2,676 ft.-lbs.	17,843 ft.-lbs.
	mm	231	72	111	366	66	70 – 152	6.74 kg	3628.17 Nm	24,191.86 Nm
TTL - 30	in.	10.71	3.33	5.17	16.80	3.02	3.125 – 7.625	23.80 lbs.	4,578 ft.-lbs.	30,982 ft.-lbs.
	mm	272	85	131	427	77	79 – 194	10.80 kg	6,206.94 Nm	42,005.95 Nm
TTL - 45							(PLEASE SEE BELOW AND CONTACT US FOR MORE INFORMATION ABOUT THIS MODEL)			