



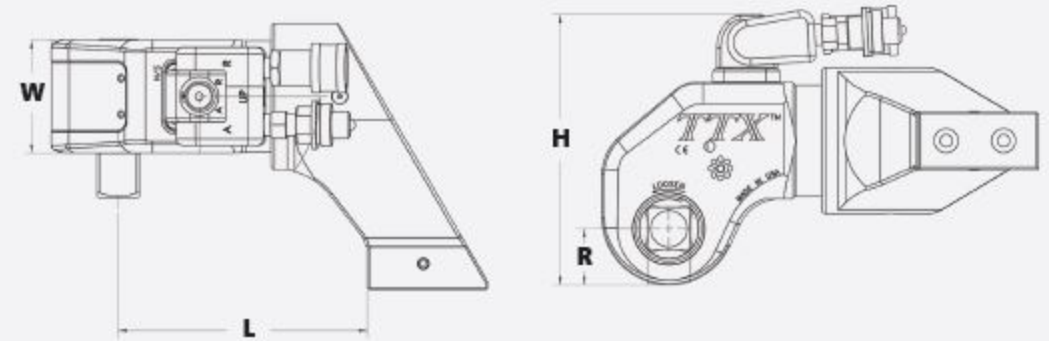
TTX

Square Drive Tool

FEATURES

- 180/360-degree multi-position hose couplers prevents hose interference on all jobs
- Made of highest quality materials (aluminum and steel alloys) for durability and longevity
- Efficient design with three moving parts for simple and inexpensive internal part repairs
- Manufactured and assembled in the U.S.A. with supreme quality control

SPECIFICATIONS



LEGEND: H = HEIGHT L = LENGTH R = RADIUS W = WIDTH

Model		H	W	L	R	Drive	Weight	Torque	
								MIN.	MAX.
TTX - 1	in.	4.92	1.97	7.74	0.99	.75	3.30 lbs.	168 ft.-lbs.	1,235 ft.-lbs.
	mm	125	50	197	25	19	1.50 kg	227.78 Nm	1,674.44 Nm
TTX - 3	in.	6.39	2.63	10.15	1.31	1	4.05 lbs.	446 ft.-lbs.	3,100 ft.-lbs.
	mm	162	67	258	33	25	1.84 kg	604.70 Nm	4,203.04 Nm
TTX - 5	in.	7.62	3.16	11.88	1.57	1.5	8.50 lbs.	880 ft.-lbs.	6,130 ft.-lbs.
	mm	194	80	302	40	38	3.86 kg	1,193.12 Nm	8,311.16 Nm
TTX - 7	in.	8.51	3.57	13.49	1.85	1.5	19.20 lbs.	1,187 ft.-lbs.	8,437 ft.-lbs.
	mm	216	91	343	47	38	8.71 kg	1,609.36 Nm	11,439.04 Nm
TTX - 11	in.	9.08	3.95	15.01	1.97	1.5	20.05 lbs.	1,580 ft.-lbs.	10,942 ft.-lbs.
	mm	231	100	381	50	38	9.10 kg	2,142.19 Nm	14,835.36 Nm
TTX - 21	in.	10.46	4.73	18.31	2.29	2.5	63.00 lbs.	2,716 ft.-lbs.	19,116 ft.-lbs.
	mm	266	120	465	58	63	11.34 kg	3,682.40 Nm	25,917.82 Nm
TTX - 30	in.	10.10	5.64	20.44	2.29	2.5	64.70 lbs.	4,448 ft.-lbs.	29,650 ft.-lbs.
	mm	257	143	519	58	64	29.35 kg	6,030.68 Nm	40,200.00 Nm

NOTE:

All tools and pumps are subject to a 13-months free repair/replacement guaranty in the event of failure. Data subject to change without notice.