



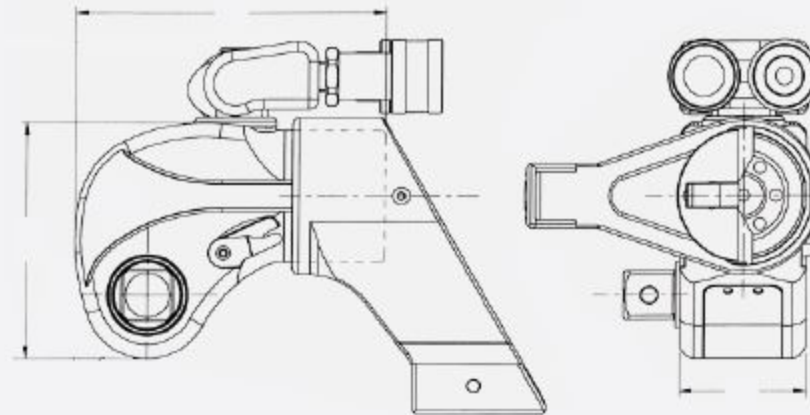
TTS

Square Drive Tool

FEATURES

- 180/360-degree multi-position hose couplers prevents hose interference on all jobs
- Made of highest quality materials (aluminum and steel alloys) for durability and longevity
- Manufactured and assembled in the U.S.A. with supreme quality control

SPECIFICATIONS



LEGEND: H = HEIGHT L = LENGTH R = RADIUS W = WIDTH

Model		H	W	L	R	Drive	Weight	Torque	
								MIN.	MAX.
TTS - .7	in.	3.00	1.62	3.96	.081	.75	2.70 lbs.	123 ft.-lbs.	822 ft.-lbs.
	mm	76	41	101	21	19	1.23 kg	166.77 Nm	1,114.48 Nm
TTS - 1	in.	3.66	1.97	4.88	0.98	.75	3.95 lbs.	201 ft.-lbs.	1,340 ft.-lbs.
	mm	93	50	124	25	19	1.79 kg	272.52 Nm	1,816.80 Nm
TTS - 3	in.	4.88	2.63	6.34	1.31	1	8.30 lbs.	484 ft.-lbs.	3,230 ft.-lbs.
	mm	124	67	161	33	25	3.77 kg	656.22 Nm	4,379.29 Nm
TTS - 5	in.	5.85	3.16	7.61	1.57	1	14.20 lbs.	838 ft.-lbs.	5,589 ft.-lbs.
	mm	149	80	193	40	25	6.44 kg	1,136.18 Nm	7,577.67 Nm
TTS - 10	in.	7.32	3.95	9.51	1.96	1.5	24.80 lbs.	1,728 ft.-lbs.	11,519 ft.-lbs.
	mm	186	100	242	50	38	11.25 kg	2,342.85 Nm	15,617.67 Nm
TTS - 15	in.	8.06	4.38	10.55	2.18	2.5	36.00 lbs.	2,388 ft.-lbs.	15,920 ft.-lbs.
	mm	205	111	268	55	64	16.33 kg	3,237.69 Nm	21,584.62 Nm
TTS - 20	in.	8.87	4.73	11.41	2.36	2.5	43.40 lbs.	2,964 ft.-lbs.	19,757 ft.-lbs.
	mm	225	120	290	60	64	19.69 kg	4,018.64 Nm	26,786.90 Nm
TTS - 35	in.	10.79	5.82	14.03	2.90	2.5	77.45 lbs.	5,564 ft.-lbs.	37,095 ft.-lbs.
	mm	274	148	356	74	64	35.13 kg	7,543.77 Nm	50,294.07 Nm

NOTE:

All tools and pumps are subject to a 13-months free repair/replacement guaranty in the event of failure. Data subject to change without notice.